



**INERTIA**<sup>®</sup>  
Deformity Portfolio

# **NE**XT Spine **XXT**<sup>®</sup>



**INERTIA®**

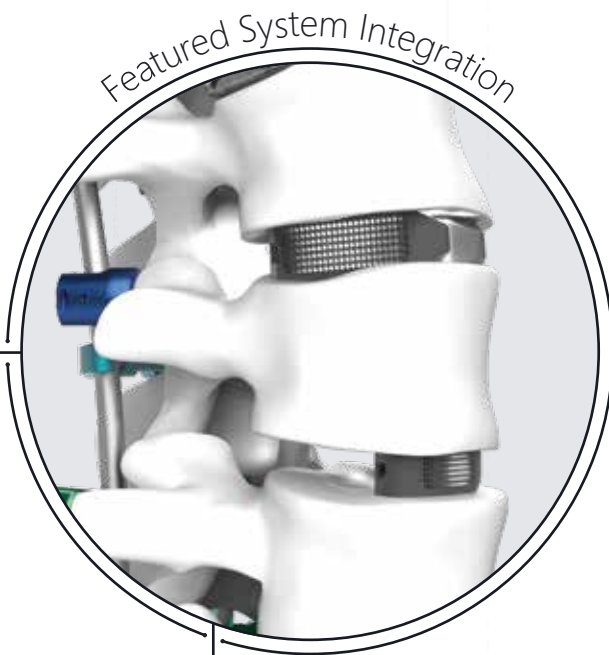
-Deformity Correxion System  
-Degenerative VB Fusion

· Patent: US #10,172,647 Rod Snap-In Feature

· Multiple Rod Options

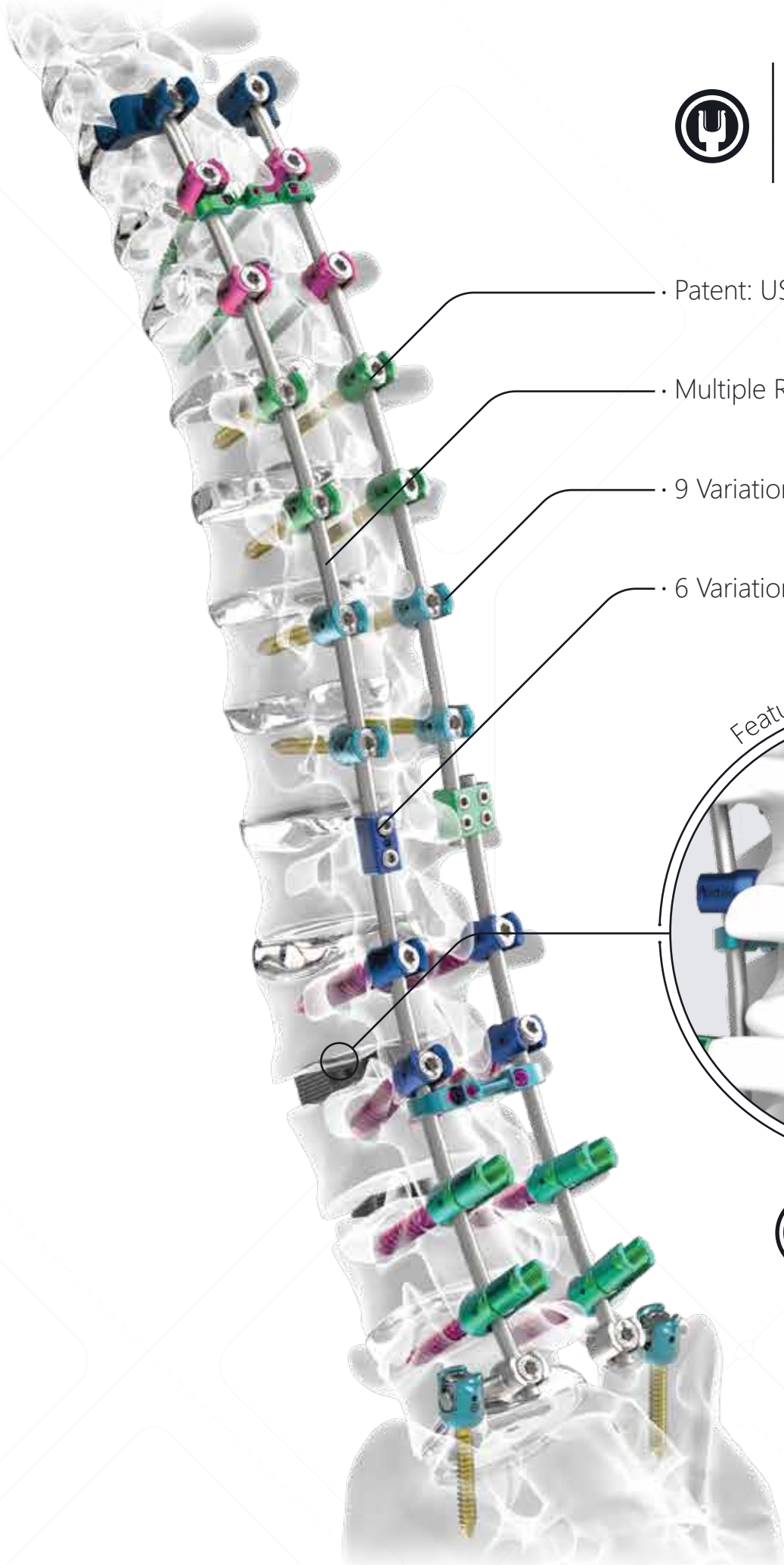
· 9 Variations of Screw Types

· 6 Variations of Transition Connectors



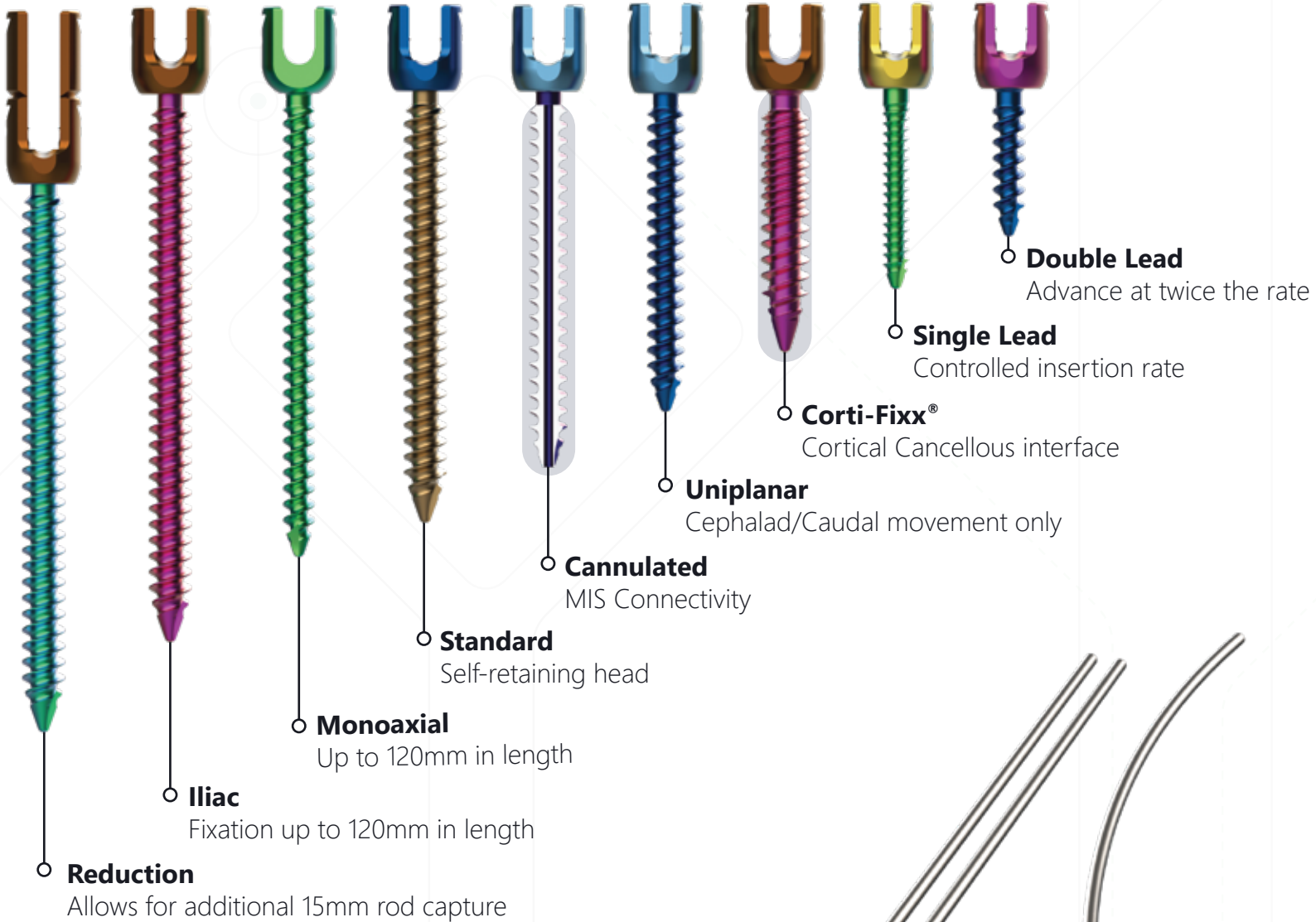
**NEXXT MATRIX®**

3D Printed Porous Titanium



# SCREW OPTIONS

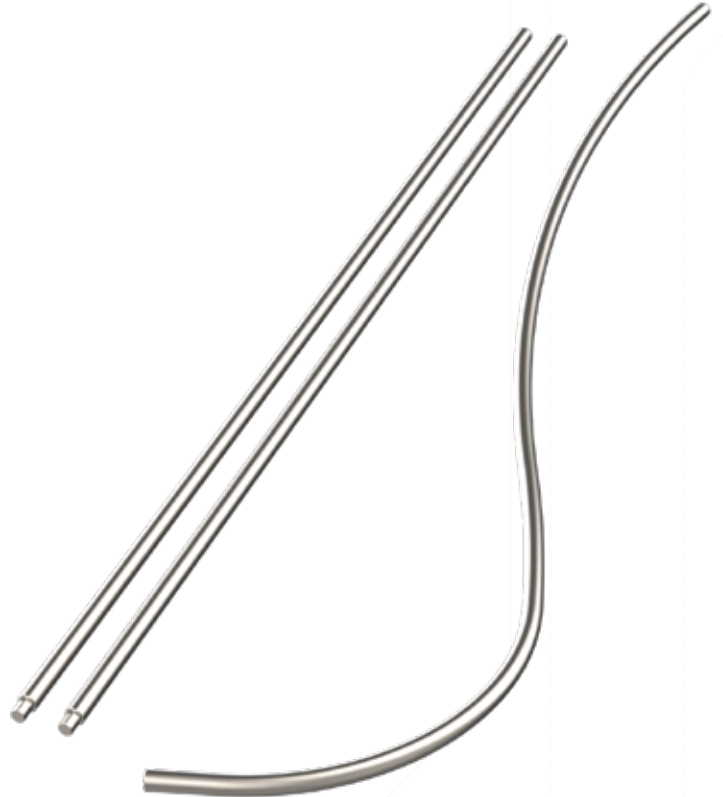
Available in a range of diameters and lengths.



**Protected Rod Snap-In Feature**



PATENT: US #10,172,647



## ROD OPTIONS

Ø5.5mm Cobalt Chrome and Titanium Alloy Rods up to 600mm straight and prebent  
Hex end and Lined Options

# TRANSITION CONNECTORS

Ø5.5 and 6.5mm Connectivity



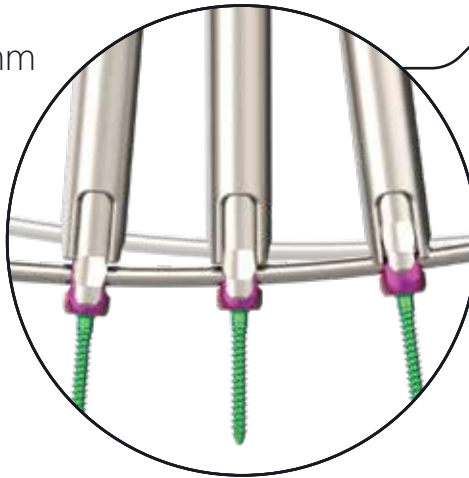
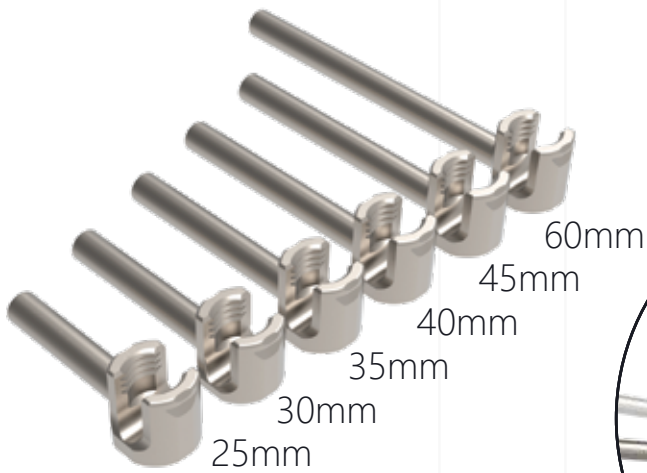
# KEY INSTRUMENTS



**PISTOL GRIP**  
ROD REDUCER  
20mm Reduction

# OFFSET CONNECTORS

Accommodates Medial/Lateral Rod Position

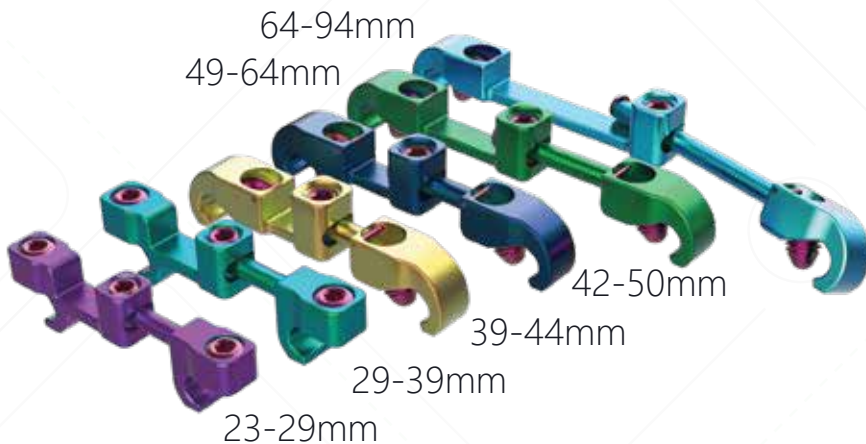


**TURBO TOWER**  
ROD REDUCER  
25mm Reduction

**AUTO-LOCKING**  
SCREW INSERTER

# CROSS CONNECTORS

Multi-Axis Adjustability





**INERTIA**<sup>®</sup>  
Deformity Portfolio



**Grow with us.**

**NEXXTSPINE.COM**

**317-436-7801**  
**INFO@NEXXTSPINE.COM**  
**14425 BERGEN BLVD, STE B**  
**NOBLESVILLE, IN 46060**

**70-060, Rev A**