



INERTIA[®]
Deformity Portfolio

NE **XXT** Spine **XT**[®]



INERTIA®

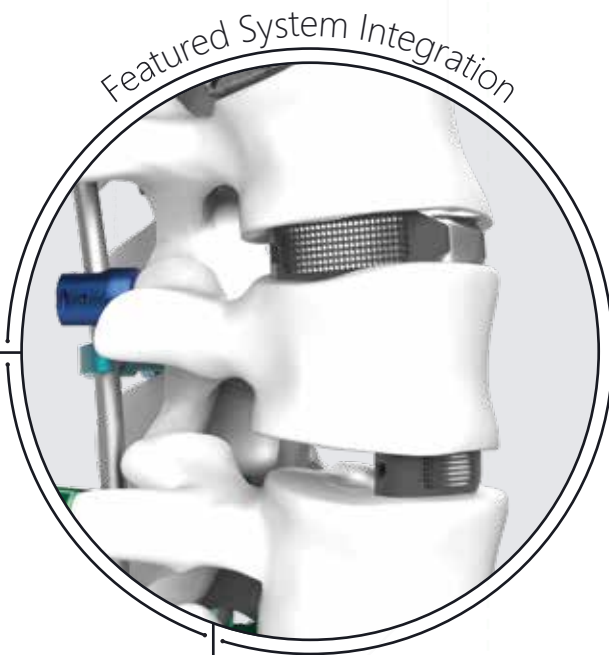
-Deformity Correxion System
-Degenerative VB Fusion

· Patent: US #10,172,647 Rod Snap-In Feature

· Multiple Rod Options

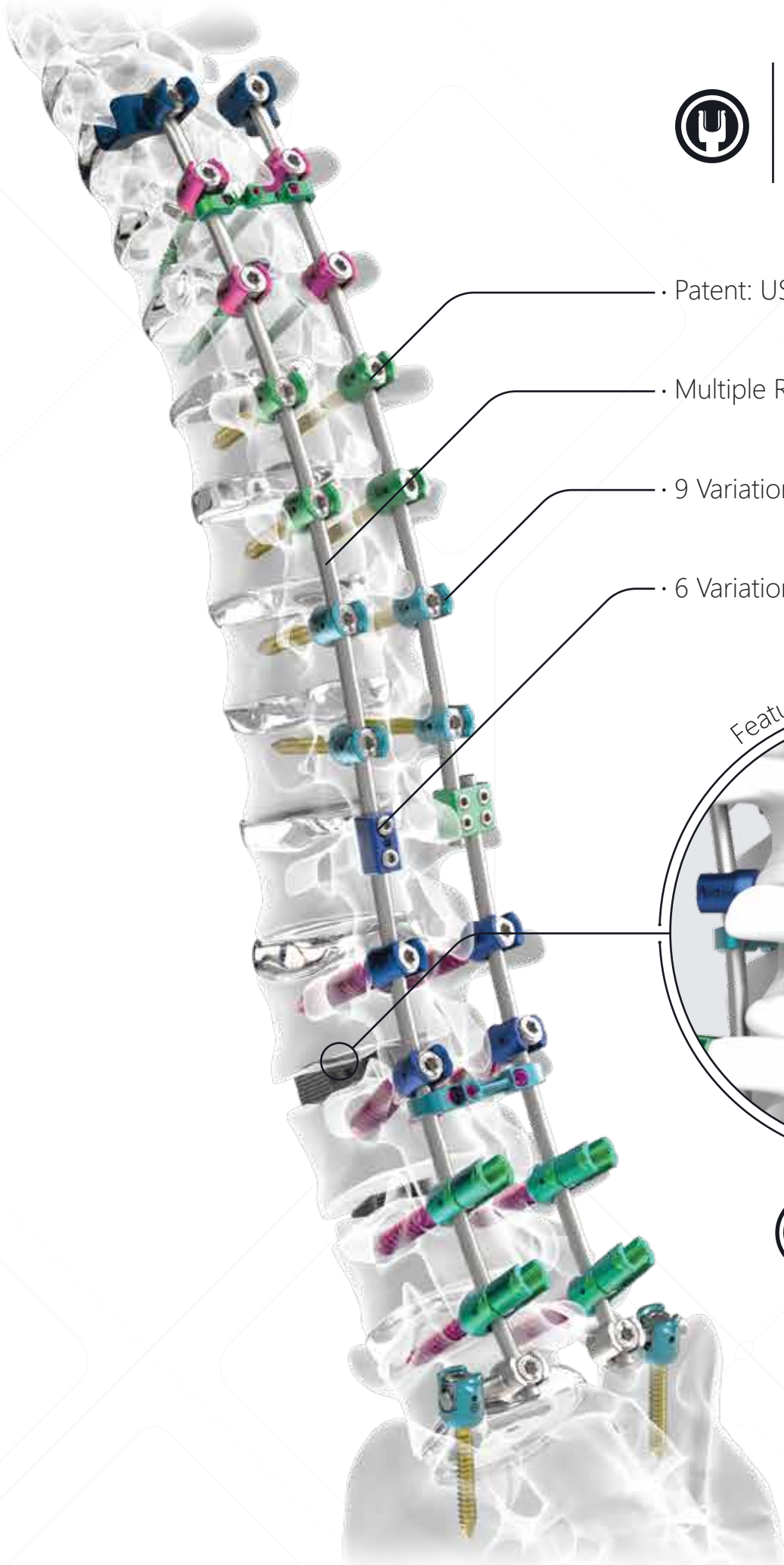
· 9 Variations of Screw Types

· 6 Variations of Transition Connectors



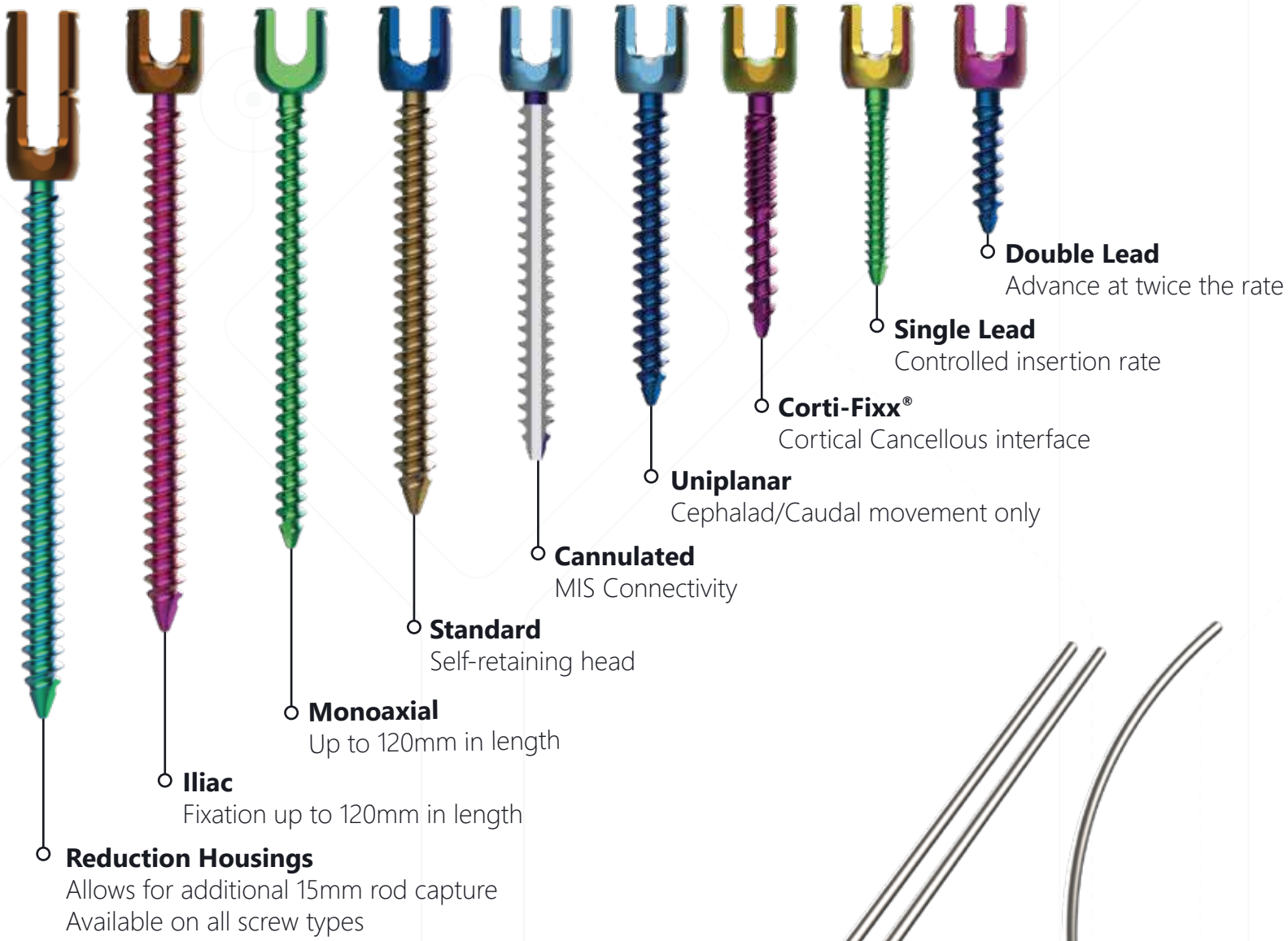
NEXXT MATRIX®

3D Printed Porous Titanium

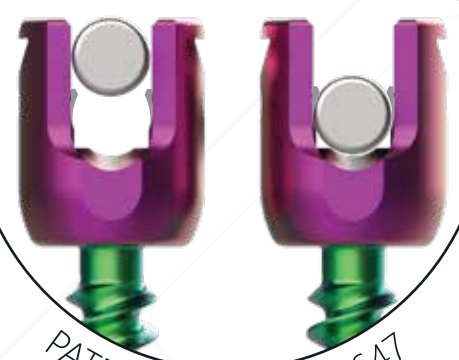


SCREW OPTIONS

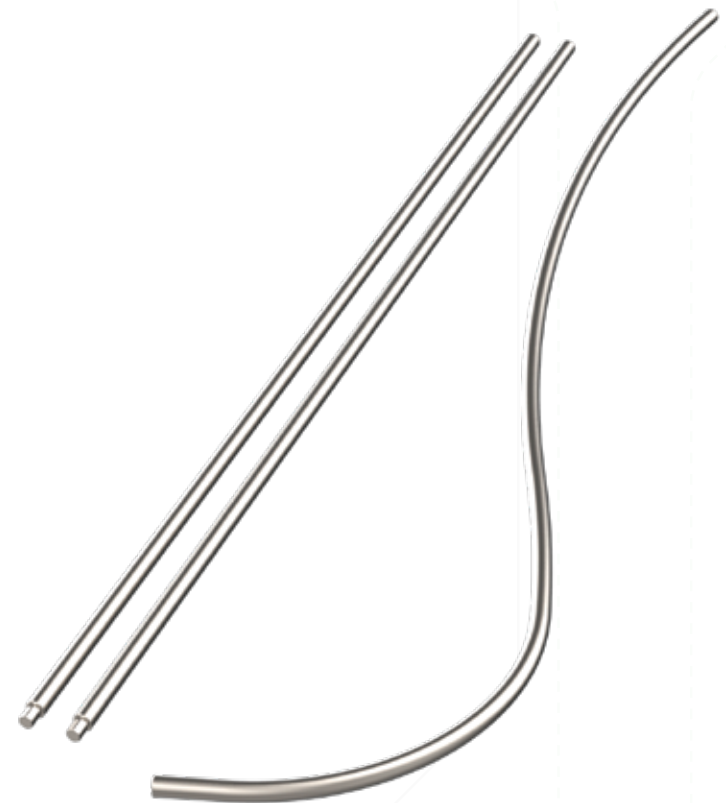
Available in a range of diameters and lengths.



Protected Rod Snap-In Feature



PATENT: US #10,172,647



ROD OPTIONS

Ø5.5mm Cobalt Chrome and Titanium Alloy Rods up to 600mm straight and prebent
Hex end and Lined Options

TRANSITION CONNECTORS

Ø5.5 and 6.5mm Connectivity



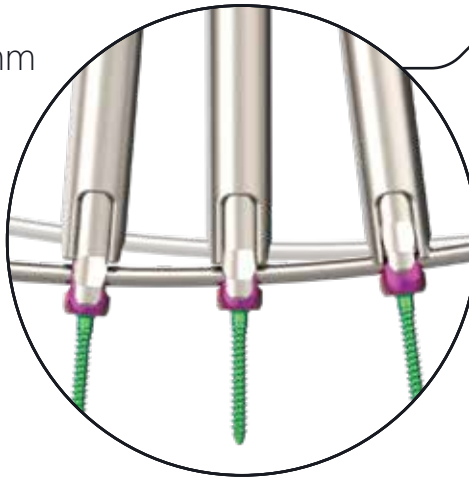
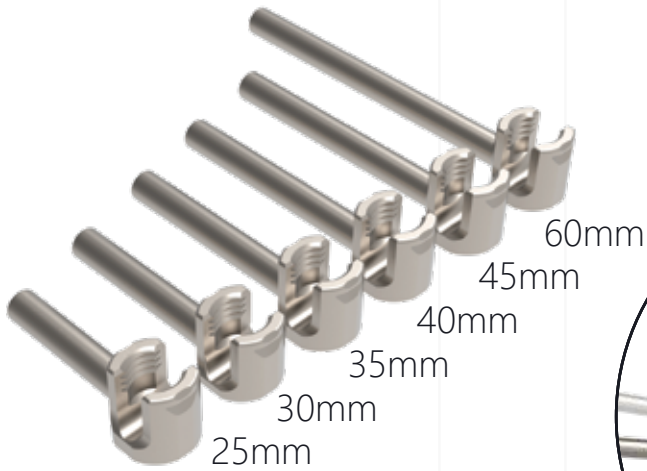
KEY INSTRUMENTS



PISTOL GRIP
ROD REDUCER
20mm Reduction

OFFSET CONNECTORS

Accommodates Medial/Lateral Rod Position

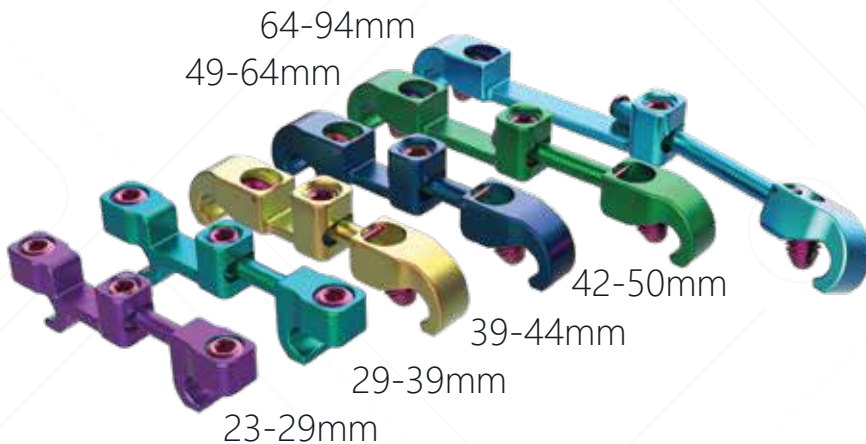


TURBO TOWER
ROD REDUCER
25mm Reduction

AUTO-LOCKING
SCREW INSERTER

CROSS CONNECTORS

Multi-Axis Adjustability





INERTIA[®]
Deformity Portfolio



Grow with us.

NEXXTSPINE.COM

317-436-7801
INFO@NEXXTSPINE.COM
14425 BERGEN BLVD, STE B
NOBLESVILLE, IN 46060

70-060, Rev A